

Art. 611

DN 63 - 160
Pmax = 16 bar
GGG 40



Art. 611

TAPPING BRIDGE for PE and PVC pipes

- Simple connection
 - Revolvable elbow made of plastics material (PP clamp fitting)
 - Different connections 3/4", 1", 5/4", 6/4", 2"
- Drilling under full working pressure
- Stainless steel strap
- Appropriate for PE, PVC pipes and similar materials
- Ensured integrity in food-processing industry (DVGW, KTW, W270)
- Maintenance is not needed
- Strength test / Pressure testing per EN 12266 - P10, P11



ORDER CODE

UNIVERSAL TAPPING BRIDGE TYPE 611 - DN

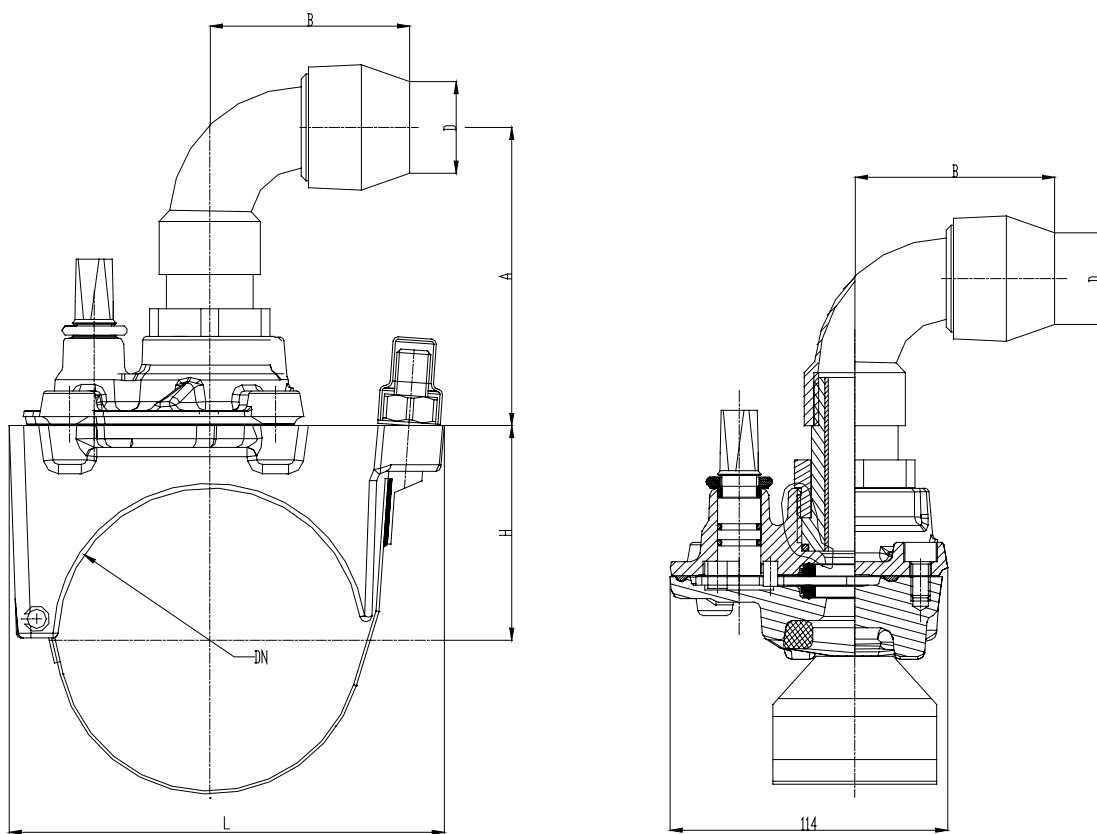
/

External diameter of the pipe DN
63, 75, 90, 110, 140, 160

Connection
3/4", 1", 5/4", 6/4", (2")

* Specially order

TECHNICAL DRAWING



All dimensions are in mm.
We have the right to technical changes.

DN	63	75	90	110	125	140	160
L	140	148	153	166	180	196	216
H	50	56	69	83	89	96	106

D	25	32	40	50	63
A	111	114	113	118	122
B	82	94	116	133	160

