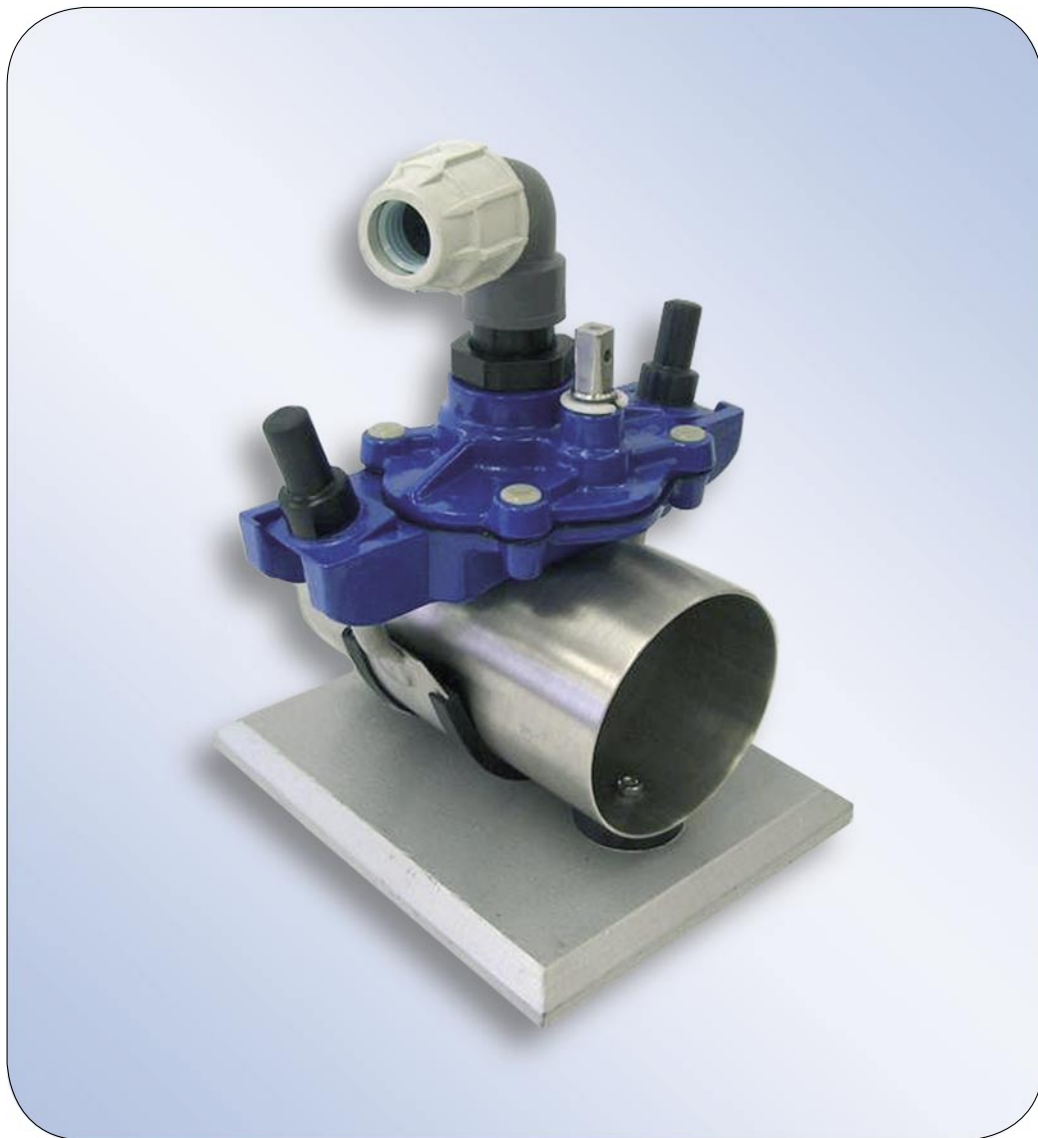


Art. 610

DN 80 - 400
Pmax = 16 bar



Art. 610

UNIVERSAL TAPPING BRIDGE

- Simple connection
 - Revolvable elbow made of plastics material (PP clamp fitting)
 - Different connections 3/4", 1", 5/4", 6/4", 2"
- Drilling under full working pressure
- Stainless steel rubber covered strap
- Appropriate for steel pipes, cast iron pipes and pipes made of other materials
- Ensured integrity in food-processing industry (DVGW, KTW, W270)
- Maintenance is not needed
- Strength test / Pressure testing per EN 12266 - P10, P11



ORDER CODE

UNIVERSAL TAPPING BRIDGE TYPE 610 - DN

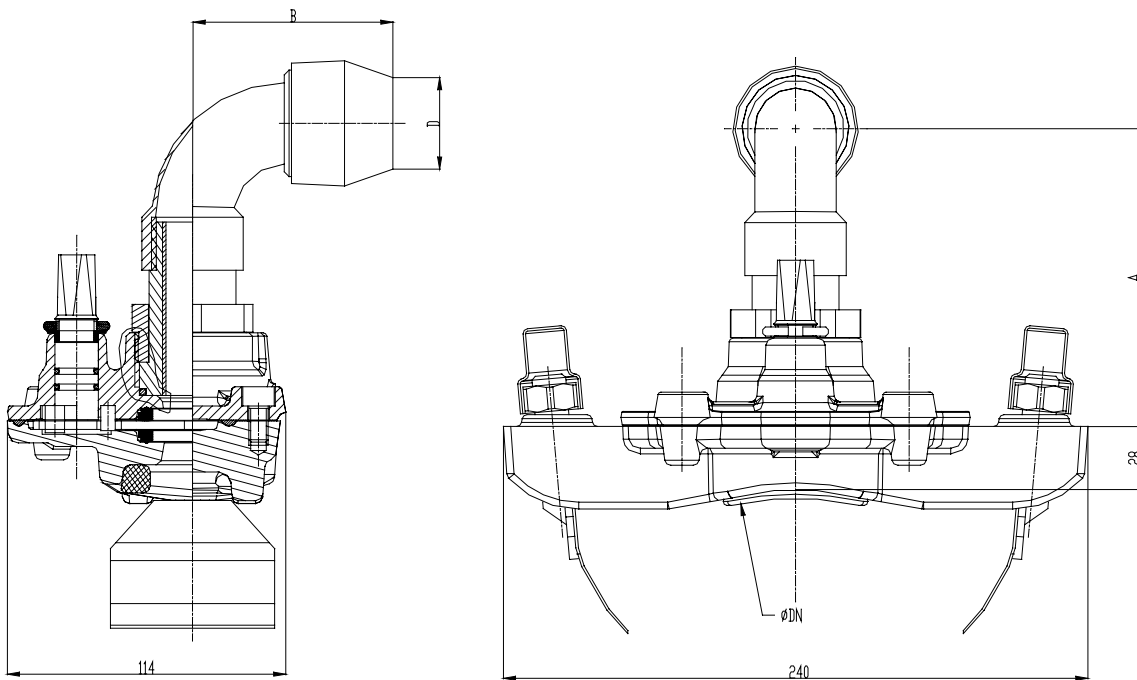
/

External diameter of the pipe DN
80, 100, 125, 150, 200, 250, 300, 350, 400

Connection
3/4", 1", 5/4", 6/4", (2")*

* Specially order

TECHNICAL DRAWING



All dimensions are in mm.
 We have the right to technical changes.

D	25	32	40	50	63
A	111	114	113	118	122
B	82	94	116	133	160

